

STEEL BUILDING SPECIFICATIONS

STEEL BUILDING SHALL BE DESIGNED/STRUCTURED IN ACCORDANCE WITH TECHNICAL SPECIFICATIONS AND CODES FOR STEEL BUILDINGS, STEEL BRIDGE, CIVIL COUNTY FLORIDA, TITLE: REQUEST FOR PROPOSAL CITY CONTRACT NUMBER (SECTION SECTION) B.A.B. SERVICES

KEEP IN NO. 4002-1790
RFP NO. 24-1-6
BIA NO. 0002

ISSUED FOR CITRUS COUNTY
REVISED 0601

ISSUED BY LEA
2024 LUNA IN. QUIN 10
06/06/24

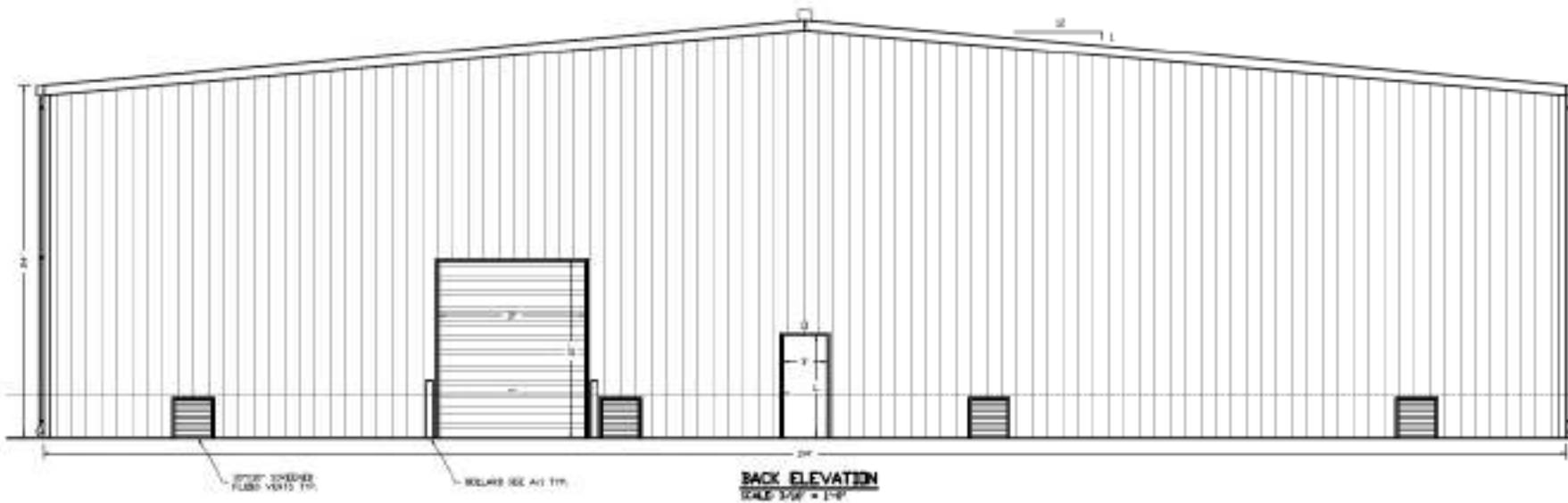
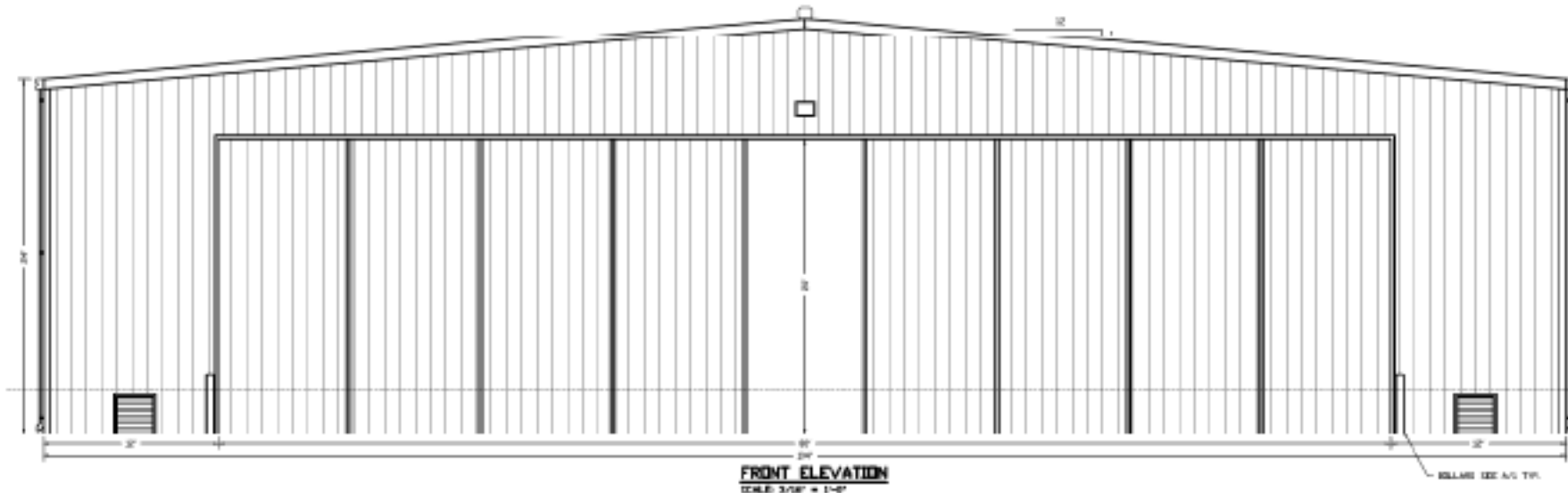
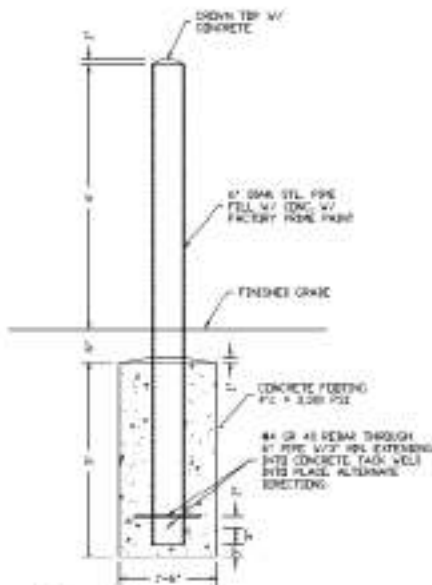
STRUCTURAL LOADING

WIND SPEED 70 MPH (3-SEC GUST)
EXPOSURE B
WINDWARD FACTOR 1.0
INTERNAL PRESSURE COEFF. 0.0

ROOF LIVE LOAD PER ASCE-7-16
SNOW LOAD NONE
SEISMIC NONE

SMALL BOX DRIBBAGE CHECK LIST
CITRUS COUNTY LBC 4861

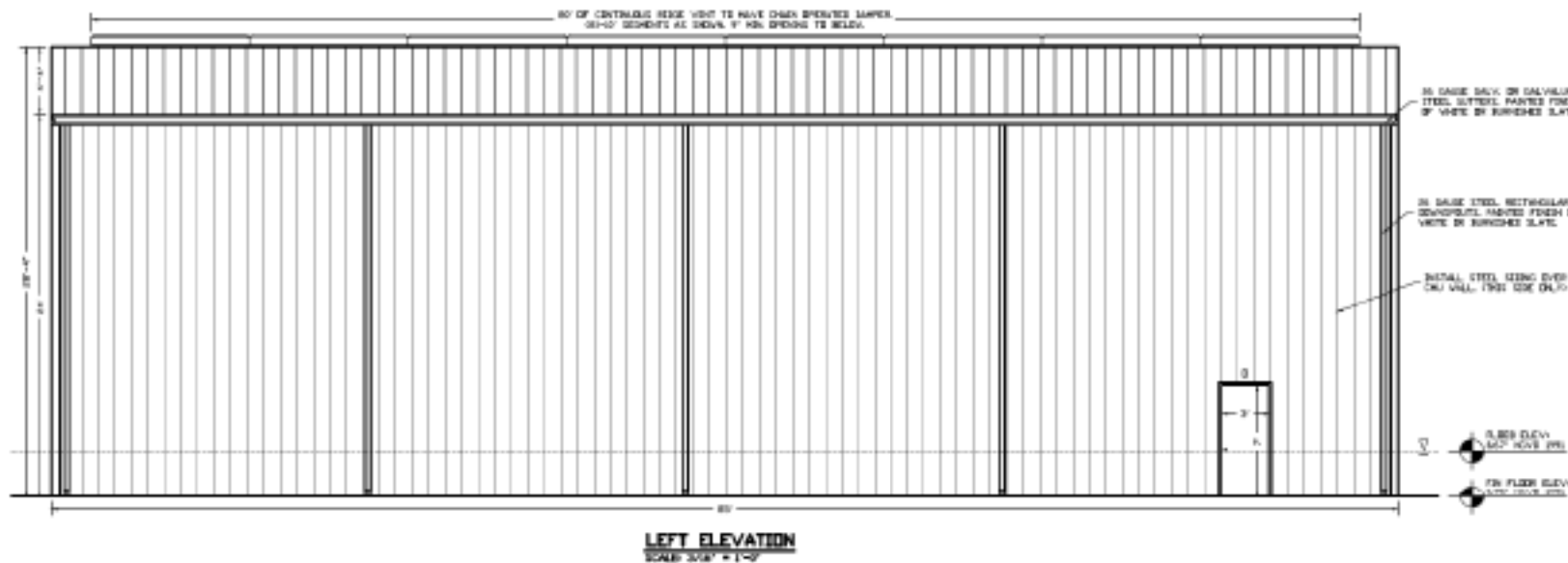
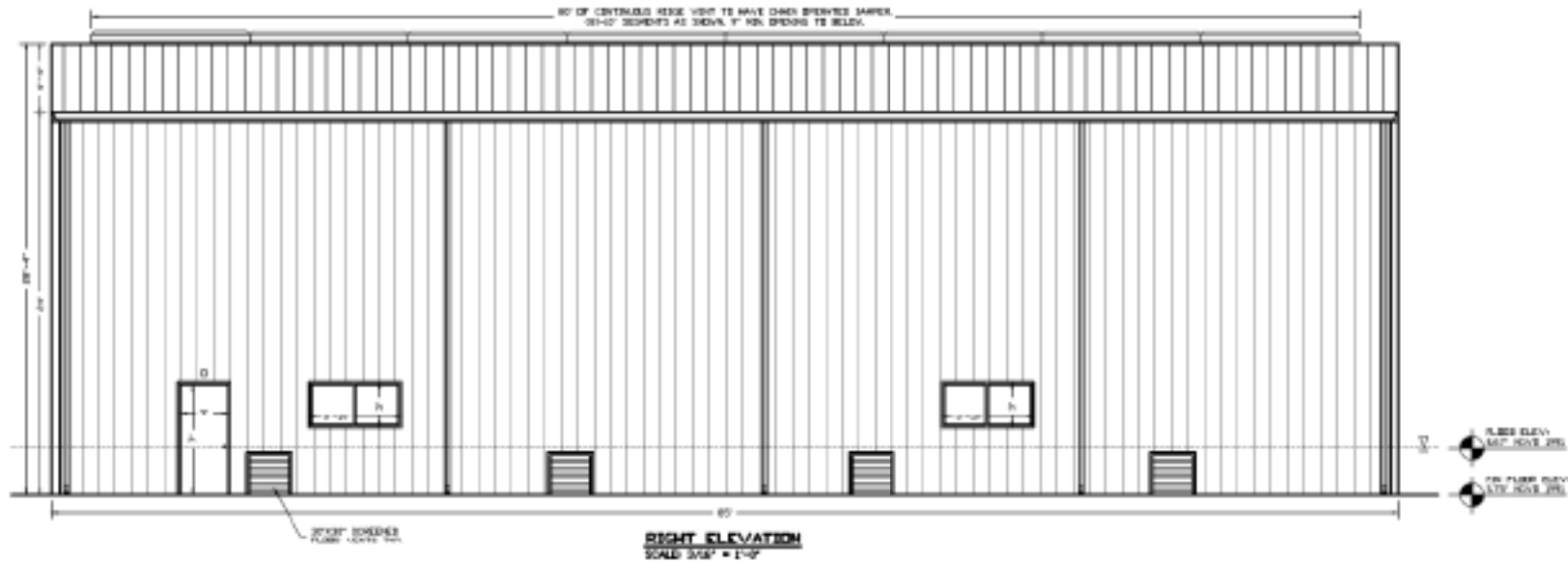
<input checked="" type="checkbox"/> 1) IDENTIFY	a) RESIDENTIAL, AGRICULTURAL, HOUSING LAND USES b) TRANSPORTATION, COMMUNICATION, UTILITY USES c) "DOMESTIC" EXISTING BUILDINGS (AS APPLICABLE) d) APPROVED NEED TO IMPROVE LOCAL HOUSING & ACCESSIBILITY
<input checked="" type="checkbox"/> 2) MATERIALS	a) 6" SPREADS @ 24" ON CENTER b) ONE OF THE FOLLOWING: 1) POLYSTYRENE 2) POLYURETHANE 3) POLYISOCYANURATE 4) POLYURETHANE 5) POLYURETHANE
<input checked="" type="checkbox"/> 3) DETAIL FEATURES	a) DETAIL FEATURES @ ROOF & VERT @ 24" ON CENTER b) DETAIL INCLUDE: 1) FLASHING 2) CURB, RETURN, INTERNAL ANGLE CHANGES 3) SURFACE FINISHING CHANGES SUCH AS OFFSETS REVEALS OR HOLE OF NO LESS THAN 2" IN WIDTH AND 7/8" IN DEPTH
<input checked="" type="checkbox"/> 4) FINISHES	a) ARCHITECTURAL METAL PANELS b) STUCCO FINISH ON EXTERIOR WALLS
<input checked="" type="checkbox"/> 5) DETAILING (CLARIFY DETAIL AND HAVE (2) OF THE FOLLOWING	a) CURB CONNECTIONS b) FLASHING c) FLASHING/PROTECTION d) ARCHICAD e) FINISH ABOVE THE SERRATED CORNER FLASHING f) FINISH ROOF FORMS g) ARCHITECTURAL METAL PANELS h) DISPLAY WINDOWS i) TILE WORK j) PLASTER k) VERT WALLS l) LAWN/GRASS DETAIL AREA
<input checked="" type="checkbox"/> 6) ROOF SYSTEMS	a) WEIGHTED IN ROOF LINE b) ONE OF THE FOLLOWING: 1) POLYSTYRENE 2" MIN IN HEIGHT ABOVE FINISH FLOOR 2) POLYURETHANE 2" MIN IN HEIGHT ABOVE FINISH FLOOR 3) POLYURETHANE 2" MIN IN HEIGHT ABOVE FINISH FLOOR c) 2" MIN SLOPING ROOF FLASHING d) FLASHING ROOF FLASHING NOT EXCEED THE EXISTING ROOF FLASHING HEIGHT WITH FLASHING e) ALL DETAILING @ ROOF FLASHING OF 2" MIN f) ROOF TOP EQUIPMENT NOT VISIBLE TO LEISURE DRIVERS FROM ROAD OR HWY

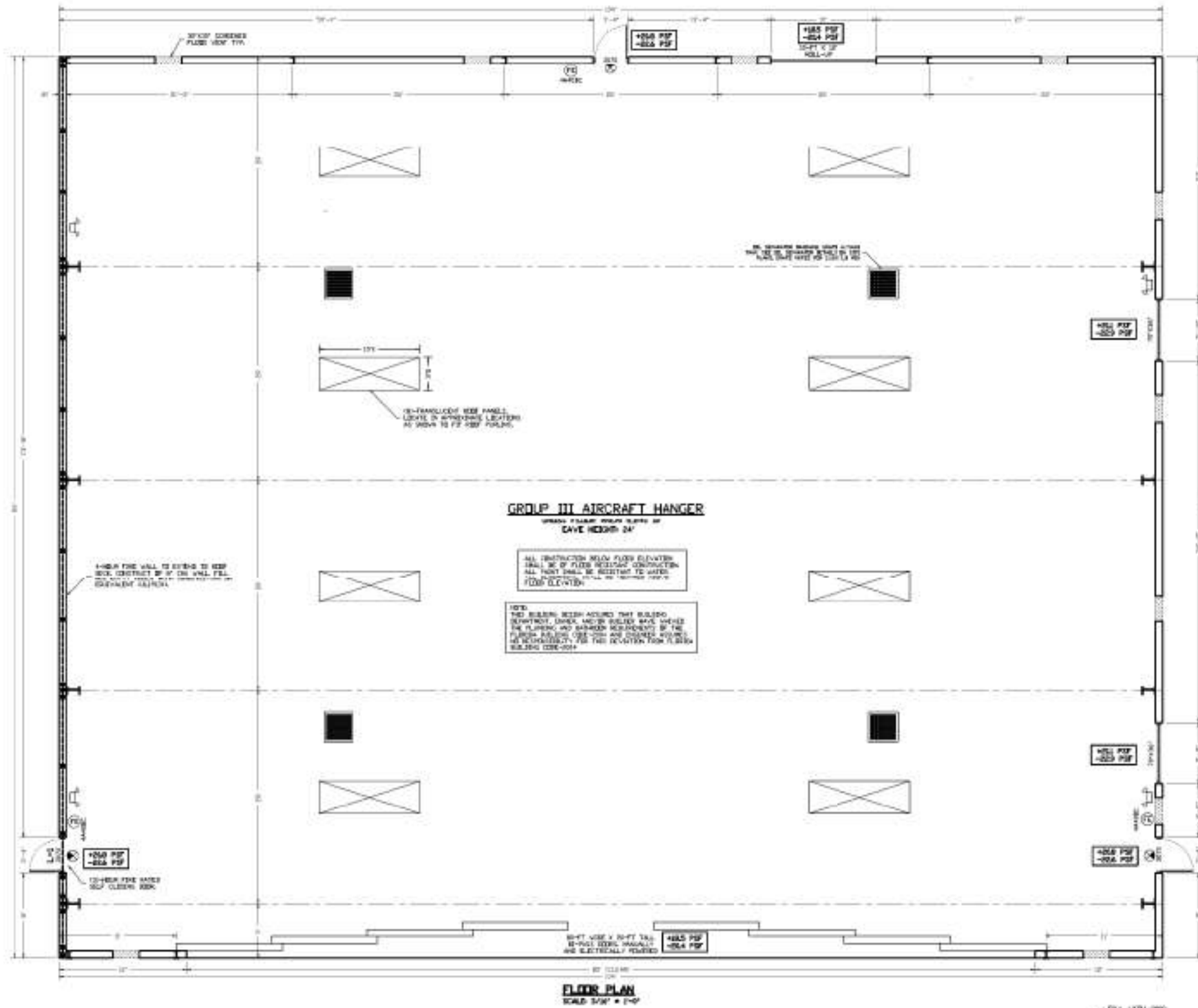


LIST OF ABBREVIATIONS	
1	ARCHITECT
2	CITY ENGINEER
3	STATE ENGINEER
4	CITY ENGINEER
5	CITY ENGINEER
6	CITY ENGINEER
7	CITY ENGINEER
8	CITY ENGINEER
9	CITY ENGINEER
10	CITY ENGINEER
11	CITY ENGINEER
12	CITY ENGINEER
13	CITY ENGINEER
14	CITY ENGINEER
15	CITY ENGINEER
16	CITY ENGINEER
17	CITY ENGINEER
18	CITY ENGINEER
19	CITY ENGINEER
20	CITY ENGINEER
21	CITY ENGINEER
22	CITY ENGINEER
23	CITY ENGINEER
24	CITY ENGINEER
25	CITY ENGINEER
26	CITY ENGINEER
27	CITY ENGINEER
28	CITY ENGINEER
29	CITY ENGINEER
30	CITY ENGINEER
31	CITY ENGINEER
32	CITY ENGINEER
33	CITY ENGINEER
34	CITY ENGINEER
35	CITY ENGINEER
36	CITY ENGINEER
37	CITY ENGINEER
38	CITY ENGINEER
39	CITY ENGINEER
40	CITY ENGINEER
41	CITY ENGINEER
42	CITY ENGINEER
43	CITY ENGINEER
44	CITY ENGINEER
45	CITY ENGINEER
46	CITY ENGINEER
47	CITY ENGINEER
48	CITY ENGINEER
49	CITY ENGINEER
50	CITY ENGINEER
51	CITY ENGINEER
52	CITY ENGINEER
53	CITY ENGINEER
54	CITY ENGINEER
55	CITY ENGINEER
56	CITY ENGINEER
57	CITY ENGINEER
58	CITY ENGINEER
59	CITY ENGINEER
60	CITY ENGINEER
61	CITY ENGINEER
62	CITY ENGINEER
63	CITY ENGINEER
64	CITY ENGINEER
65	CITY ENGINEER
66	CITY ENGINEER
67	CITY ENGINEER
68	CITY ENGINEER
69	CITY ENGINEER
70	CITY ENGINEER
71	CITY ENGINEER
72	CITY ENGINEER
73	CITY ENGINEER
74	CITY ENGINEER
75	CITY ENGINEER
76	CITY ENGINEER
77	CITY ENGINEER
78	CITY ENGINEER
79	CITY ENGINEER
80	CITY ENGINEER
81	CITY ENGINEER
82	CITY ENGINEER
83	CITY ENGINEER
84	CITY ENGINEER
85	CITY ENGINEER
86	CITY ENGINEER
87	CITY ENGINEER
88	CITY ENGINEER
89	CITY ENGINEER
90	CITY ENGINEER
91	CITY ENGINEER
92	CITY ENGINEER
93	CITY ENGINEER
94	CITY ENGINEER
95	CITY ENGINEER
96	CITY ENGINEER
97	CITY ENGINEER
98	CITY ENGINEER
99	CITY ENGINEER
100	CITY ENGINEER

DATE 06/06/24	PROJECT NO. 24-1-6	DATE 06/06/24
DRIVER & B.A. DANIEL F. ARDITO, P.E.		CITY
PROFESSIONAL ENGINEER		
FLORIDA		
ELEVATIONS		
CORPORATE HANGER		
FLORIDA		
SHEET 1 OF 7		

Daniel F. Ardito, P.E.
Florida P.E. 5064



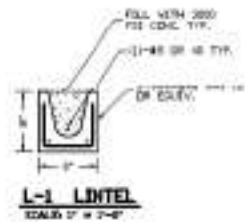


GROUP III AIRCRAFT HANGER
 GROUP III AIRCRAFT HANGER GROUP OF
 BAYE HEIGHT 24'

ALL CONSTRUCTION BELOW FLOOR ELEVATION SHALL BE OF PLATE REINFORCED CONSTRUCTION. ALL FOOTING SHALL BE RESISTANT TO WATER. ALL REINFORCING SHALL BE CORROSIVE RESISTANT. FOOTING ELEVATION:

NOTE:
 THIS BUILDING BEING CLASSIFIED GROUP III BUILDING, SEISMICITY GROUP 1, AND IS SUBJECT TO THE SEISMIC DESIGN REQUIREMENTS OF THE FLORIDA BUILDING CODE-2004 AND CORRELATED WITH ALL REQUIREMENTS FOR THE LOCATION FROM FLORIDA BUILDING CODE-2004.

FLOOR PLAN
 SCALE 3/8\"/>



BUILDING CONSTRUCTION REQUIREMENTS			
DESIGN CLASSIFICATION	IS-10-1000 WIND STORAGE		
CONSTRUCTION TYPE	TYPE III (R-FRM)		
FIRE PROTECTION	UNPROTECTED		
SPRINKLER	NOT PROVIDED		
AREA INFORMATION			
BUILDING PERIMETER (FT)	148		
USABLE FLOOR AREA (SF)	148		
GROUP (AS PER IBC-1003)	NA		
BUILDING LIMITATIONS			
TABLE 505.2 FBC-2004			
NUMBER OF STORIES	NO. ALLOWABLE	NO. EXCEEDED	NO. PROVIDED
	NA	NA	1
10-STOREY FLOOR AREA	NA	NA	NA
10-STOREY FLOOR AREA	GLUED JOINT	NA	GLUED JOINT
FIRE RESISTANCE RATINGS OF BUILDING ELEMENTS			
TABLE 601.10.1 FBC-2004			
BUILDING COMPONENT	REQUIRED FIRE RATING	FIRE RATING PROVIDED	
STRUCTURAL FRAME	N/A	N/A	
BEARING WALLS	2 HR	2 HR	
NON-BEARING WALLS & PARTITIONS	2 HR	2 HR	
FLOOR CONSTRUCTION	2 HR	2 HR	
ROOF CONSTRUCTION	2 HR	2 HR	
FIRE RESISTANCE RATINGS OF EXTERIOR WALLS			
TABLE 602 FBC-2004			
WALL LOCATION	SEPARATION TYPE	REQUIRED FIRE RATING	FIRE RATING PROVIDED
FRONT WALL	OVER 30 FT	0	0
LEFT WALL	0 - 18 FT	1	1
RIGHT WALL	OVER 30 FT	0	0
BACK WALL	OVER 30 FT	0	0
EXTERIOR WALL OPENINGS (FBC TABLE 704.4.2)			
HALL	SEPARATION TYPE PROVIDED	SEPARATION PROVIDED ALLOWED	SEPARATION TO EXCEEDING PROVIDED
FRONT WALL	OVER 30 FT	NL	NA
LEFT WALL	0 - 18 FT	NL	NA
RIGHT WALL	OVER 30 FT	NL	NA
BACK WALL	OVER 30 FT	NL	NA
NL = NO LIMIT NA = NOT APPLICABLE 0 = NON-EXISTENT			

OCCUPANT LOAD CALCS			
USE	USABLE AREA	OCCUP. LOAD	FRESH AIR
AIRCRAFT STORAGE	GLUED JOINT	0.040 / 500 = 17.7	254 SF

MIXTURE VENTILATED CALCULATED
 FLOOR AREA: 1480 SQ FT
 VENT AREA REQUIRED: 1480/2000 = 7.4 SQ FT
 VENTS DETAILING: 1480/2000 = 7.4 SQ FT (7.4 SQ FT)
 PROVIDE: 4 20\"/>

FLOOR VENT CALCULATED
 FLOOR AREA: 1480 SQ FT
 VENTS REQUIRED: 1480/2000 = 7.4 SQ FT
 VENT AREA: 30\"/>

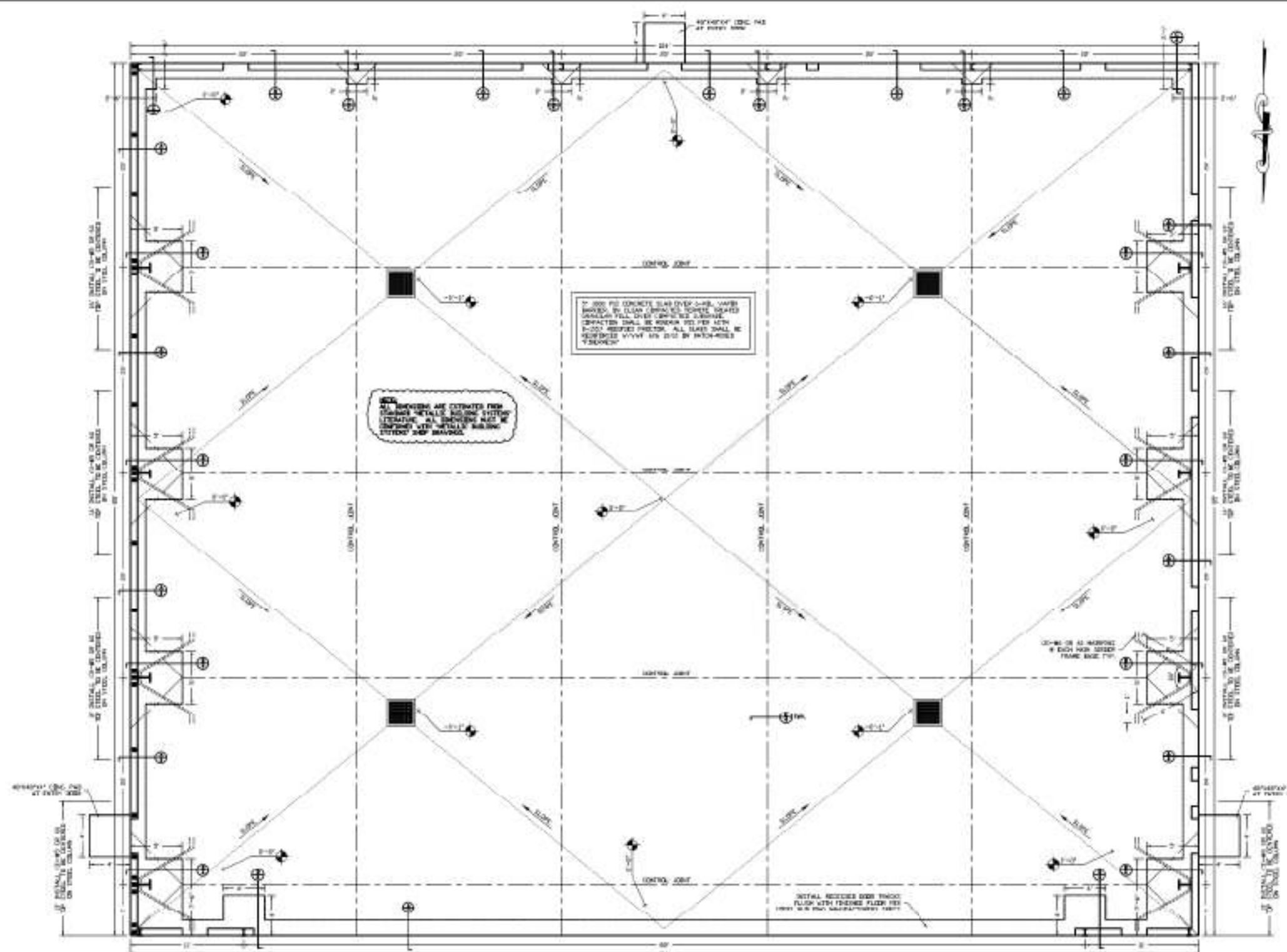
- LIFE SAFETY / FIRE PREVENTION NOTES:**
- ALL EXIT SIGNS TO BE ILLUMINATED WITH BATTERY POWER.
 - ALL EMERGENCY LIGHTING TO HAVE BATTERY BACKUP.
 - EXIT SIGNS TO BE PLACED AND MUST BE VISIBLE FROM THE CORRIDOR WITH V-CHARACTERS OR CONTRASTIVE BACKGROUND.
 - ALL FIRE EXTINGUISHERS SHALL BE INSPECTED, TAGGED & MAINTAINED.
 - A FIRE ALARM IS REQUIRED WITH SHIRT SIGNALING SYSTEM OF THE BUILDING IF CENTRAL WATER IS AVAILABLE WITHIN 300-FT.

COMPONENT AND CLADDING PRESSURE ZONES					
WIND DIRECTION	ZONE 1	ZONE 2	ZONE 3	ZONE 4	ZONE 5
15°	0.00	0.00	0.00	0.00	0.00
45°	0.00	0.00	0.00	0.00	0.00
75°	0.00	0.00	0.00	0.00	0.00
105°	0.00	0.00	0.00	0.00	0.00
135°	0.00	0.00	0.00	0.00	0.00
165°	0.00	0.00	0.00	0.00	0.00

DESIGN CRITERIA

THIS STRUCTURE HAS BEEN DESIGNED IN ACCORDANCE WITH THE FLORIDA BUILDING CODE-2004 REQUIREMENTS.

WIND SPEED: 100 MPH (3-SEC DUST)
 IMPORTANCE FACTOR: 1.00
 WIND EXPOSURE: B
 FLOOR LIVE LOAD: 5 KIP/100 SQ FT
 ROOF LIVE LOAD: 5 KIP/100 SQ FT
 INTERNAL PRESSURE COEFF: 0.18



FOUNDATION PLAN
SCALE 3/8" = 1'-0"

FOUNDATION NOTES:

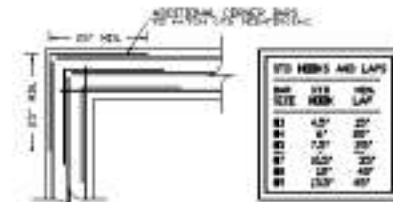
1. THE FOUNDATION SYSTEM HAS BEEN DESIGNED IN ACCORDANCE WITH THE FOLLOWING CRITERIA:

FLORIDA BUILDING CODE-0904
 WIND SPEED: 120 MPH (1-SEC GUST)
 EXPOSURE FACTOR: B
 FLOOR LIVE LOAD: 11 PSF (WHEEL LOAD)
 DECK LIVE LOAD: 20 PSF

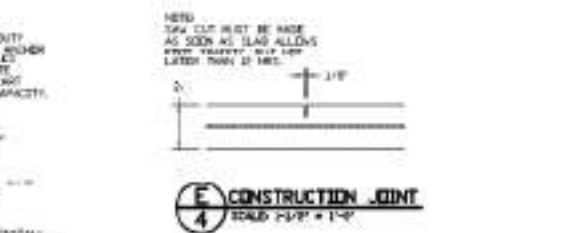
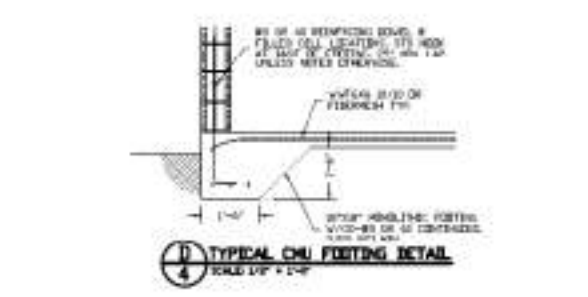
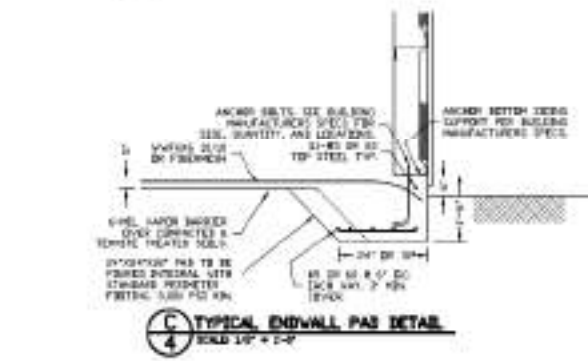
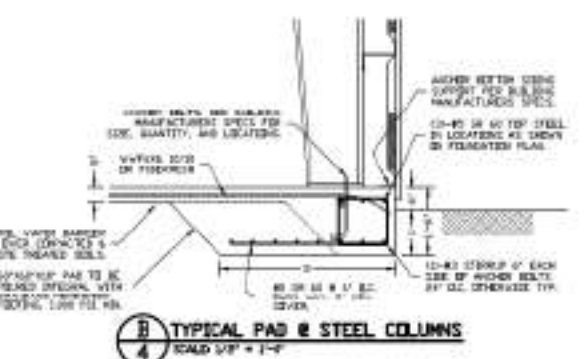
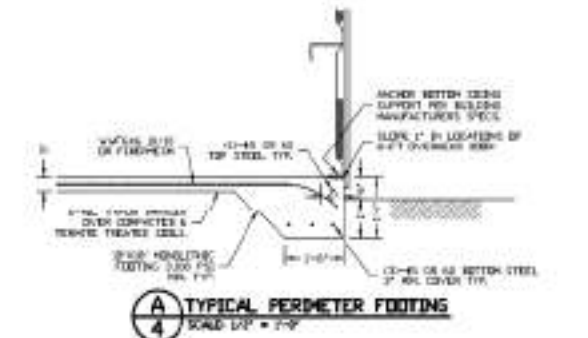
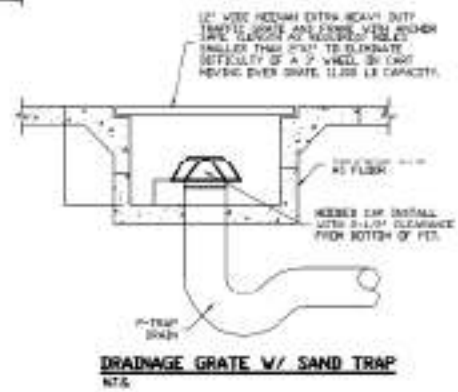
2. FOUNDATION DESIGN ASSUMES AN ALLOWABLE SOIL BEARING CAPACITY OF 20 KIP/SQ. YD.

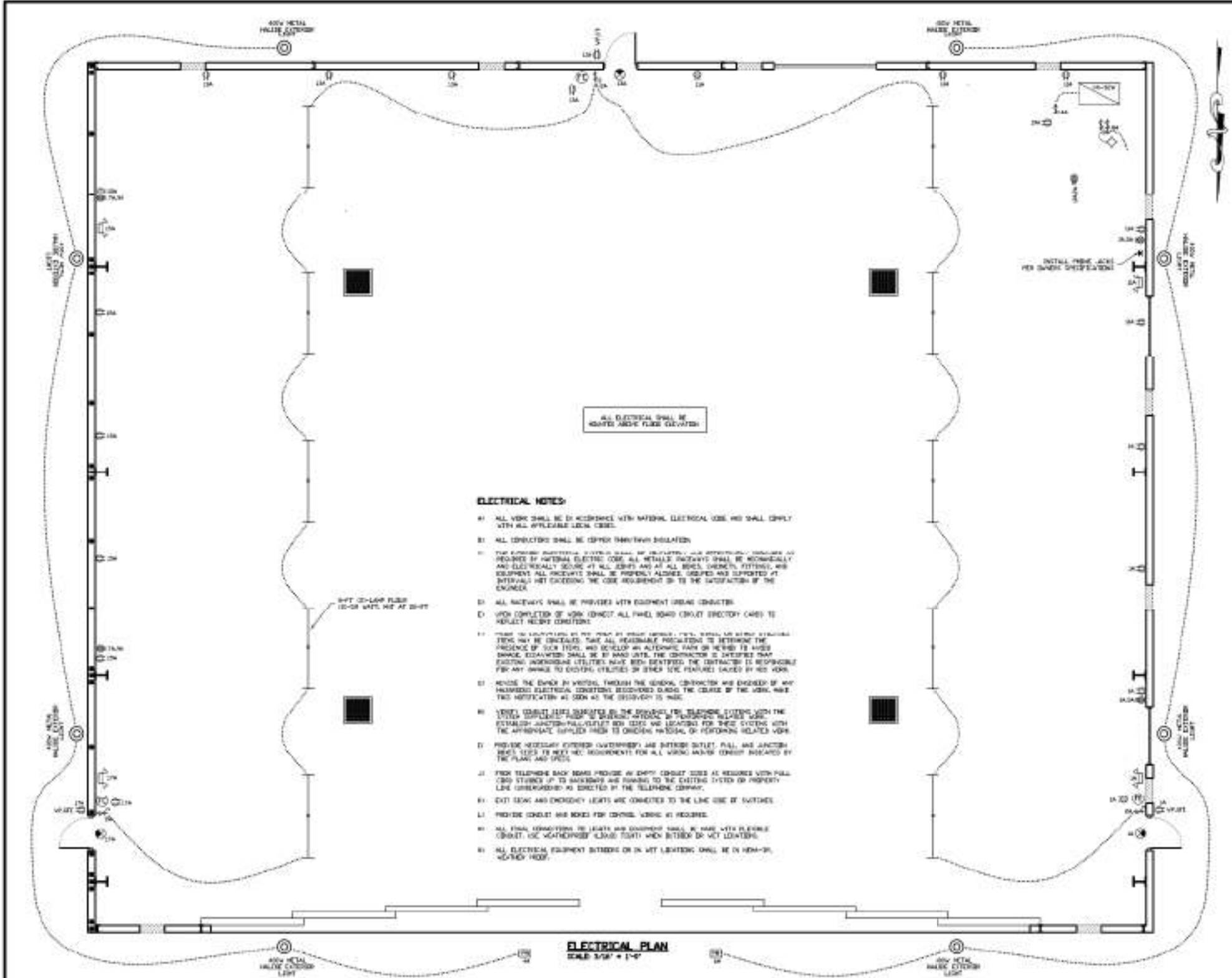
NOTE:

REF. TO PRE-ENGINEERED METAL BUILDING MANUFACTURER'S SECTION DRAWING FOR DETAILS FOR INSTALLATION OF BUILDING COMPONENTS & ELEMENTS FROM BUILDING CONCRETE CONTRACTOR. CONTACT THE ENGINEER FROM THE FOUNDING CONTRACTOR TO OBTAIN THE PRE-ENGINEERED METAL BUILDING MANUFACTURER'S SECTION DRAWING FOR DETAILS.



CORNER REINFORCING FOR FOOTINGS
NOTES



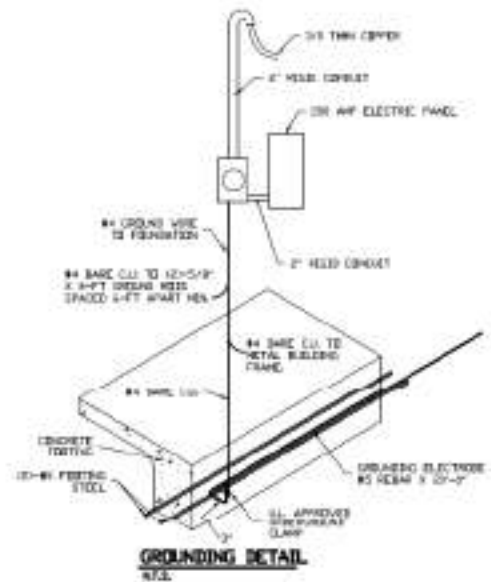


ELECTRICAL PLAN
SCALE 3/8" = 1'-0"

LINE	TYPE	TERMINAL	DESCRIPTION	TERMINAL	TYPE	LOAD
RECEPTACLE	30	30	100' @ 1.5	30	RE	1500
RECEPTACLE	31	31	50' @ 1.5	31	RE	750
RECEPTACLE	32	32	50' @ 1.5	32	RE	750
RECEPTACLE	33	33	50' @ 1.5	33	RE	750
RECEPTACLE	34	34	50' @ 1.5	34	RE	750
RECEPTACLE	35	35	50' @ 1.5	35	RE	750
RECEPTACLE	36	36	50' @ 1.5	36	RE	750
RECEPTACLE	37	37	50' @ 1.5	37	RE	750
RECEPTACLE	38	38	50' @ 1.5	38	RE	750
RECEPTACLE	39	39	50' @ 1.5	39	RE	750
RECEPTACLE	40	40	50' @ 1.5	40	RE	750
RECEPTACLE	41	41	50' @ 1.5	41	RE	750
RECEPTACLE	42	42	50' @ 1.5	42	RE	750
RECEPTACLE	43	43	50' @ 1.5	43	RE	750
RECEPTACLE	44	44	50' @ 1.5	44	RE	750
RECEPTACLE	45	45	50' @ 1.5	45	RE	750
RECEPTACLE	46	46	50' @ 1.5	46	RE	750
RECEPTACLE	47	47	50' @ 1.5	47	RE	750
RECEPTACLE	48	48	50' @ 1.5	48	RE	750
RECEPTACLE	49	49	50' @ 1.5	49	RE	750
RECEPTACLE	50	50	50' @ 1.5	50	RE	750
RECEPTACLE	51	51	50' @ 1.5	51	RE	750
RECEPTACLE	52	52	50' @ 1.5	52	RE	750
RECEPTACLE	53	53	50' @ 1.5	53	RE	750
RECEPTACLE	54	54	50' @ 1.5	54	RE	750
RECEPTACLE	55	55	50' @ 1.5	55	RE	750
RECEPTACLE	56	56	50' @ 1.5	56	RE	750
RECEPTACLE	57	57	50' @ 1.5	57	RE	750
RECEPTACLE	58	58	50' @ 1.5	58	RE	750
RECEPTACLE	59	59	50' @ 1.5	59	RE	750
RECEPTACLE	60	60	50' @ 1.5	60	RE	750
RECEPTACLE	61	61	50' @ 1.5	61	RE	750
RECEPTACLE	62	62	50' @ 1.5	62	RE	750
RECEPTACLE	63	63	50' @ 1.5	63	RE	750
RECEPTACLE	64	64	50' @ 1.5	64	RE	750
RECEPTACLE	65	65	50' @ 1.5	65	RE	750
RECEPTACLE	66	66	50' @ 1.5	66	RE	750
RECEPTACLE	67	67	50' @ 1.5	67	RE	750
RECEPTACLE	68	68	50' @ 1.5	68	RE	750
RECEPTACLE	69	69	50' @ 1.5	69	RE	750
RECEPTACLE	70	70	50' @ 1.5	70	RE	750
RECEPTACLE	71	71	50' @ 1.5	71	RE	750
RECEPTACLE	72	72	50' @ 1.5	72	RE	750
RECEPTACLE	73	73	50' @ 1.5	73	RE	750
RECEPTACLE	74	74	50' @ 1.5	74	RE	750
RECEPTACLE	75	75	50' @ 1.5	75	RE	750
RECEPTACLE	76	76	50' @ 1.5	76	RE	750
RECEPTACLE	77	77	50' @ 1.5	77	RE	750
RECEPTACLE	78	78	50' @ 1.5	78	RE	750
RECEPTACLE	79	79	50' @ 1.5	79	RE	750
RECEPTACLE	80	80	50' @ 1.5	80	RE	750
RECEPTACLE	81	81	50' @ 1.5	81	RE	750
RECEPTACLE	82	82	50' @ 1.5	82	RE	750
RECEPTACLE	83	83	50' @ 1.5	83	RE	750
RECEPTACLE	84	84	50' @ 1.5	84	RE	750
RECEPTACLE	85	85	50' @ 1.5	85	RE	750
RECEPTACLE	86	86	50' @ 1.5	86	RE	750
RECEPTACLE	87	87	50' @ 1.5	87	RE	750
RECEPTACLE	88	88	50' @ 1.5	88	RE	750
RECEPTACLE	89	89	50' @ 1.5	89	RE	750
RECEPTACLE	90	90	50' @ 1.5	90	RE	750
RECEPTACLE	91	91	50' @ 1.5	91	RE	750
RECEPTACLE	92	92	50' @ 1.5	92	RE	750
RECEPTACLE	93	93	50' @ 1.5	93	RE	750
RECEPTACLE	94	94	50' @ 1.5	94	RE	750
RECEPTACLE	95	95	50' @ 1.5	95	RE	750
RECEPTACLE	96	96	50' @ 1.5	96	RE	750
RECEPTACLE	97	97	50' @ 1.5	97	RE	750
RECEPTACLE	98	98	50' @ 1.5	98	RE	750
RECEPTACLE	99	99	50' @ 1.5	99	RE	750
RECEPTACLE	100	100	50' @ 1.5	100	RE	750
RECEPTACLE	101	101	50' @ 1.5	101	RE	750
RECEPTACLE	102	102	50' @ 1.5	102	RE	750
RECEPTACLE	103	103	50' @ 1.5	103	RE	750
RECEPTACLE	104	104	50' @ 1.5	104	RE	750
RECEPTACLE	105	105	50' @ 1.5	105	RE	750
RECEPTACLE	106	106	50' @ 1.5	106	RE	750
RECEPTACLE	107	107	50' @ 1.5	107	RE	750
RECEPTACLE	108	108	50' @ 1.5	108	RE	750
RECEPTACLE	109	109	50' @ 1.5	109	RE	750
RECEPTACLE	110	110	50' @ 1.5	110	RE	750
RECEPTACLE	111	111	50' @ 1.5	111	RE	750
RECEPTACLE	112	112	50' @ 1.5	112	RE	750
RECEPTACLE	113	113	50' @ 1.5	113	RE	750
RECEPTACLE	114	114	50' @ 1.5	114	RE	750
RECEPTACLE	115	115	50' @ 1.5	115	RE	750
RECEPTACLE	116	116	50' @ 1.5	116	RE	750
RECEPTACLE	117	117	50' @ 1.5	117	RE	750
RECEPTACLE	118	118	50' @ 1.5	118	RE	750
RECEPTACLE	119	119	50' @ 1.5	119	RE	750
RECEPTACLE	120	120	50' @ 1.5	120	RE	750

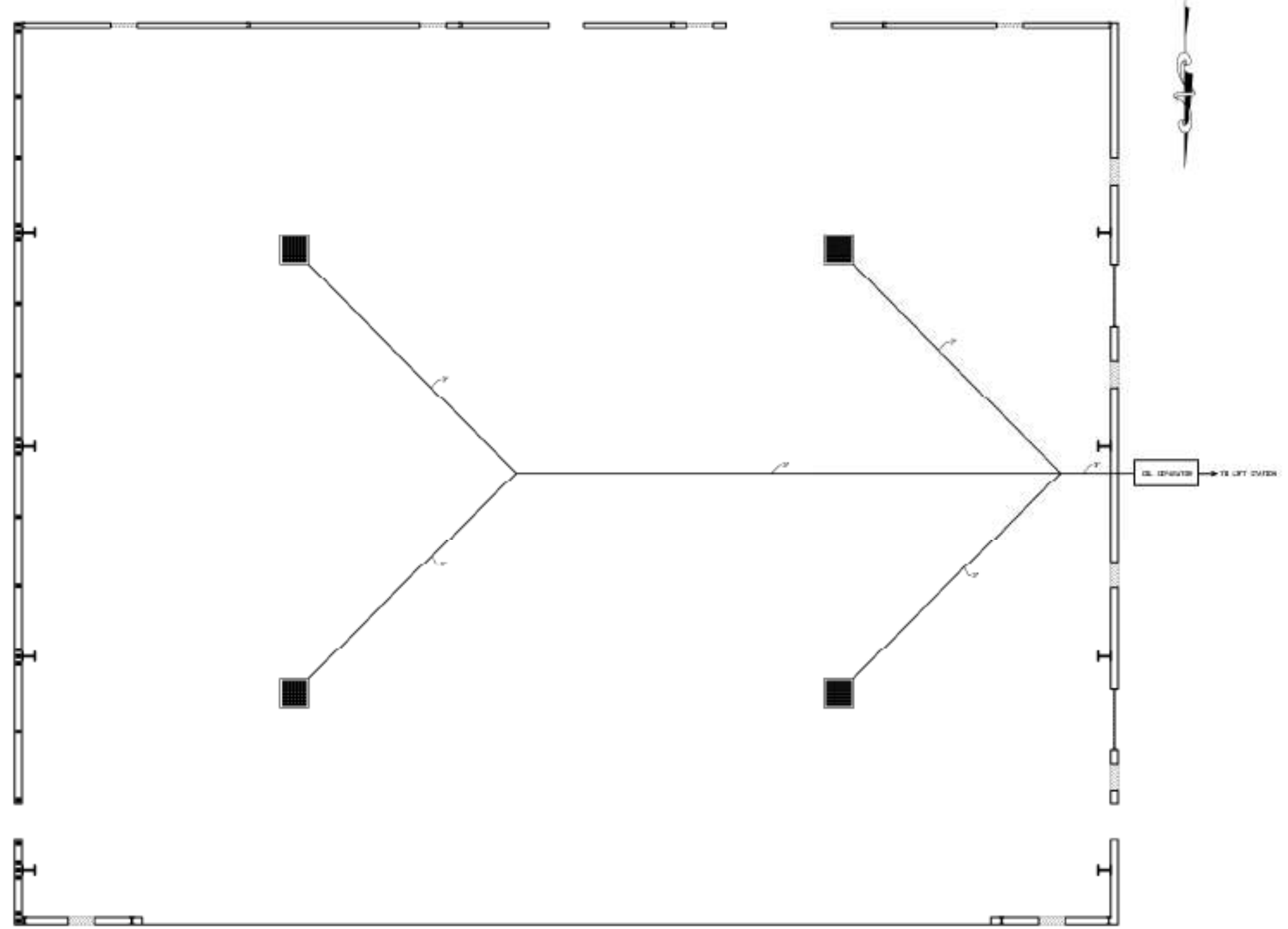
ELECTRICAL LEGEND	
[Symbol]	SINGLE POLE SWITCH 50A 120/240V
[Symbol]	THREE WAY SWITCH 50A 120/240V
[Symbol]	PANEL
[Symbol]	50FT. METAL
[Symbol]	GROUND FAULT INTERRUPTER 50A 120V
[Symbol]	DUPLICATE RECEPTACLE W/ WATERPROOF COVER
[Symbol]	50V. BULB
[Symbol]	FLOUORESCENT TRIP FEATURE
[Symbol]	EMERGENCY EXIT SIGN
[Symbol]	EMERGENCY LIGHTING
[Symbol]	FIRE EXTINGUISHER
[Symbol]	COMPONENTS OUTLET
[Symbol]	CEILING MOUNTED EXHAUST FAN
[Symbol]	INCANDESCENT LIGHT FIXTURE
[Symbol]	FLOUORESCENT LIGHT FIXTURE 40W

ELECTRICAL LOAD CALCULATION (3-PHASE)	
ENTER BUILDING LOADS	
CONTINUOUS LOADS	1940
NON-CONTINUOUS LOADS	4400
LOAD TOTAL	6340
CONTINUOUS LOADS	1940
RECEPTACLE LOADS = 65 RECEPTACLES @ 300 VA EACH	19500
LOAD TOTAL	21440
30-HP MOTORS	1770
WATER HEATER	5000
SHOP CLORDS	5000
LOAD TOTAL	17770
TOTALS	21440
CONTINUOUS LOADS @ 125%	2420
NON-CONTINUOUS LOADS @ 125% FOR 20% REDUCTION	4500
NON-CONTINUOUS LOADS @ 125% REDUCED	0
HEAT LOADS @ 125%	6300
FINAL TOTAL	25720
25720 VA / 240 V = 107.2 AMP	108 AMP



DATE: 02/10/06		DRAWN BY: DA	
SCALE: AS SHOWN		CHECKED BY: DA	
PROJECT NO.:		P.L. NO.:	
Daniel F. Avella, P.E. Professional Engineer FLORIDA REG. NO. 16042 1107-163-0000			
ELECTRICAL PLAN			
CORPORATE HANGER FLORIDA			
SHEET	5	OF 7	

Daniel F. Avella, P.E.
Florida REG. 16042



PLUMBING PLAN
SCALE: 3/8" = 1'-0"

Daniel F. Ardito, P.E.
Florida PEF: 5054

SHEET
6
OF 7

CORPORATE HANGER
FLORIDA

TITLE:
PLUMBING PLAN

Daniel F. Ardito, P.E.
Professional Engineer
FLORIDA LICENSE NO. 12007
STATE OF FLORIDA
PROJECT NO. 12007-120-120

DATE: 12/1/06
DRAWN BY: DA
CHECKED BY: DA
PROJECT NO. 12007-120-120

REVISIONS
DATE: 12/1/06

